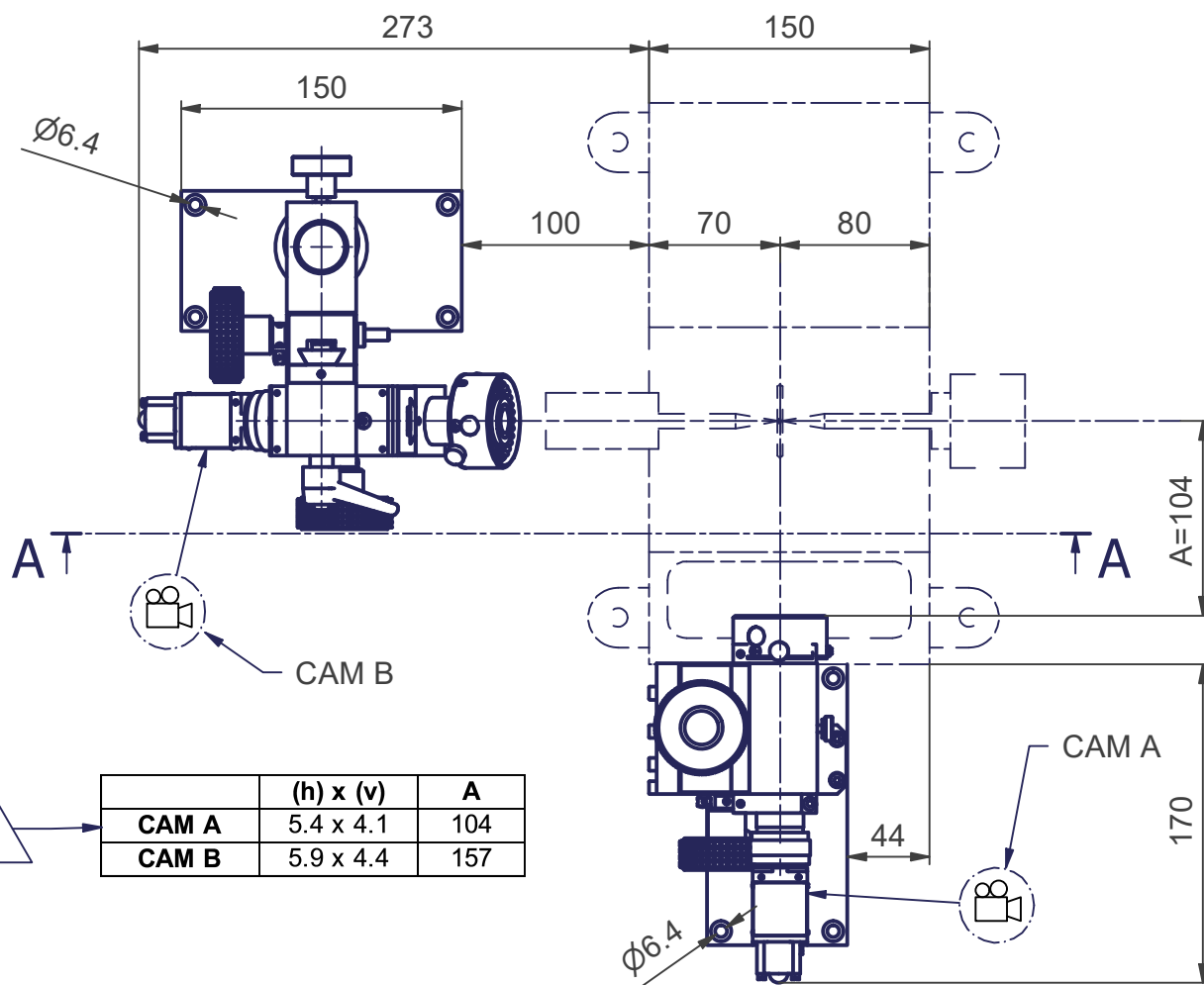
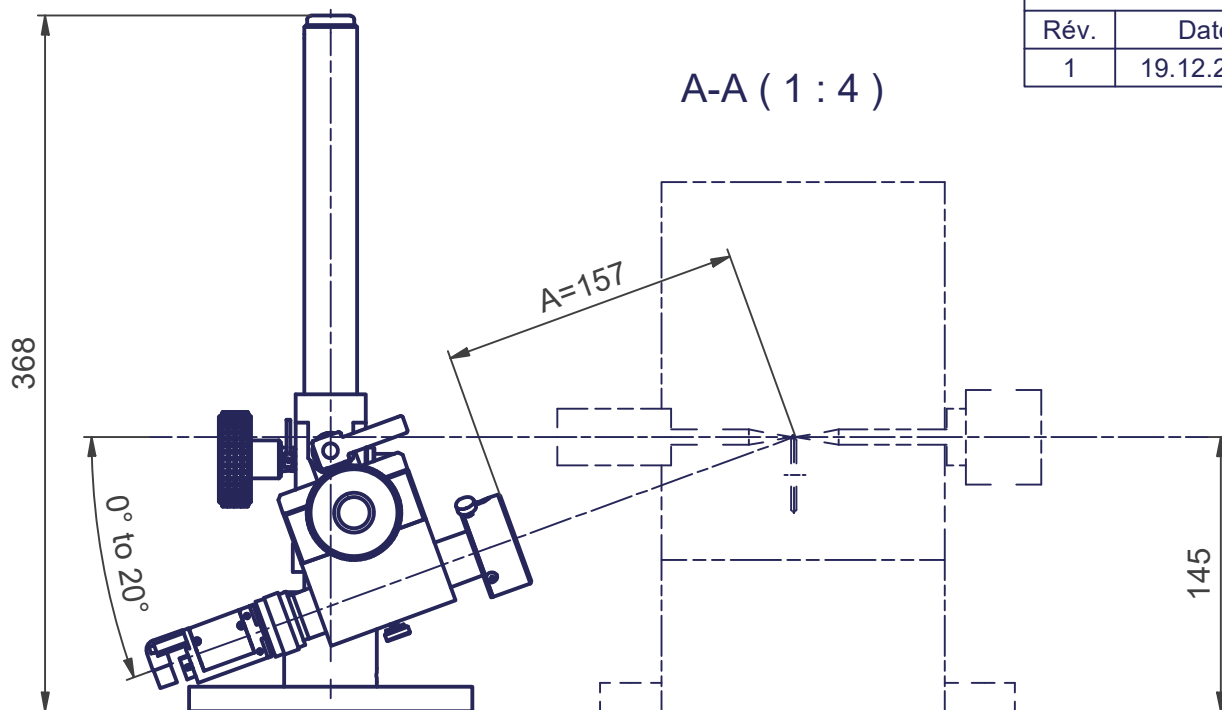


MODIFICATION(S)

Rév.	Date
1	19.12.2022

A-A ( 1 : 4 )



	(h) x (v)	A
<b>CAM A</b>	5.4 x 4.1	104
<b>CAM B</b>	5.9 x 4.4	157

S:\Bureau-Technique\Dispositif\MA 152-235-0...\$20.i.dwg

Marcel Aubert SA reserves the right to make changes without prior notice or obligation.

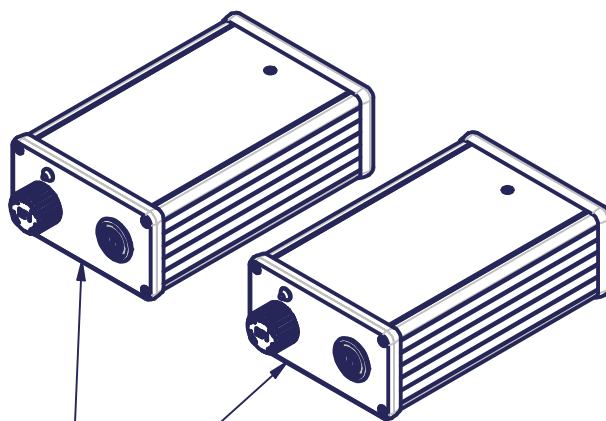
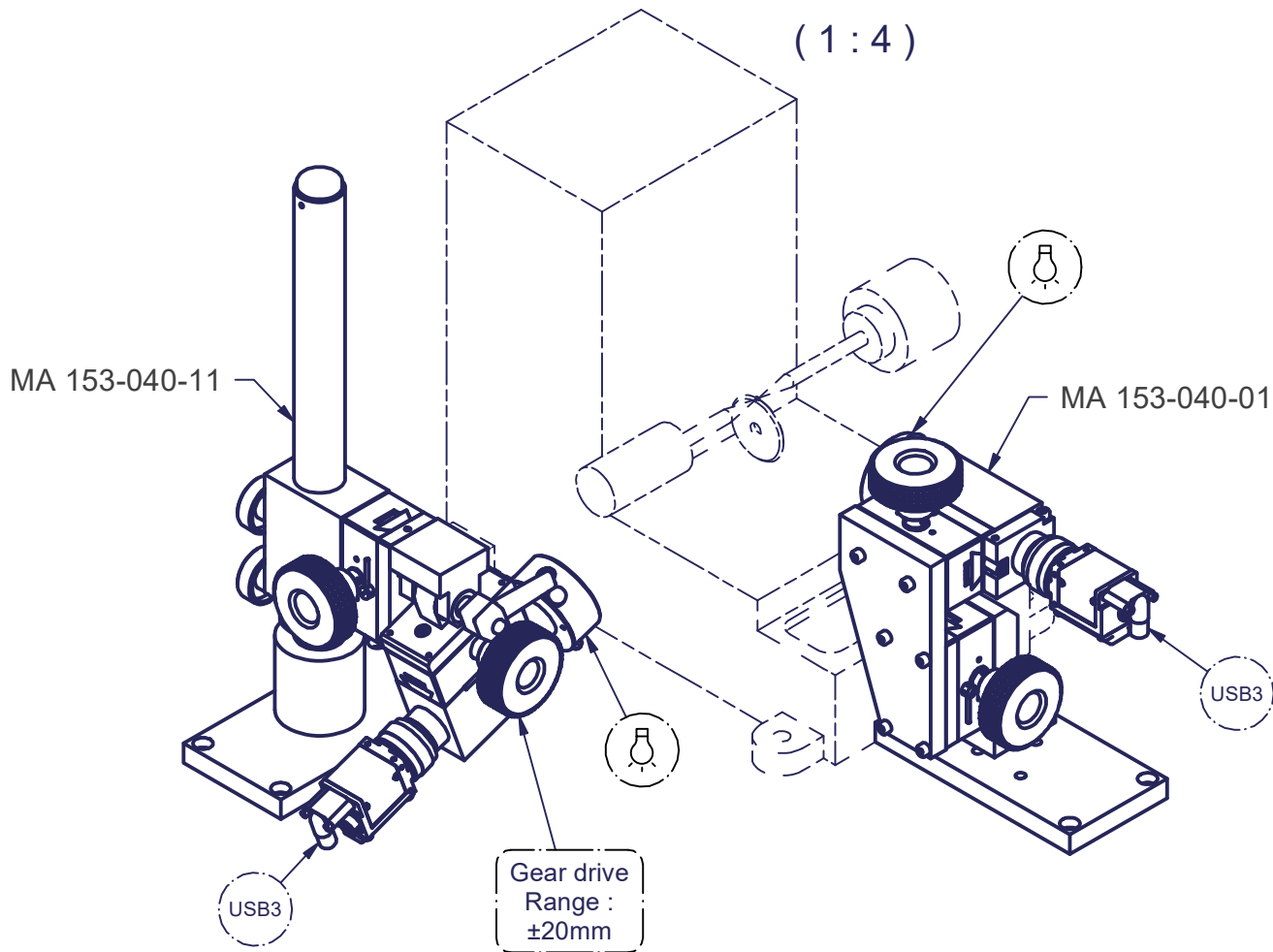
Unit	Name	Date
[mm]	M.Saam	22.11.2012

Description	Type	Category
Video device for dual positioning	MA 152-235-01	\$20-1

marcel - aubert - sa




Item code	Page no.
DCV-...	1 / 2



Power Supply for LED Lighting  
 AC Input 100-240V / 47-63 Hz  
 ON/OFF switch  
 Fine/coarse intensity adjustment

S:\Bureau-Technique\Dispositif\MA 152-235-0...\$20.idw

Marcel Aubert SA reserves the right to make changes without prior notice or obligation.	Unit [mm]	Name M.Saam	Date 22.11.2012
Description Video device for dual positioning	Type MA 152-235-01		Category \$20-1
marcel - aubert - sa 		Item code DCV-...	Page no. 2 / 2